

# Gaelic Athletic Association

(Established 1884)



## OFFICIAL GUIDE - PART 2

*Containing Playing Rules of Hurling and Football, revised and corrected up to date, and published by authority of the Central Council.*

ALL RIGHTS RESERVED

*This publication replaces all previous versions published.*

© Published by the Central Council of the Association,  
Croke Park, Dublin, January 2007

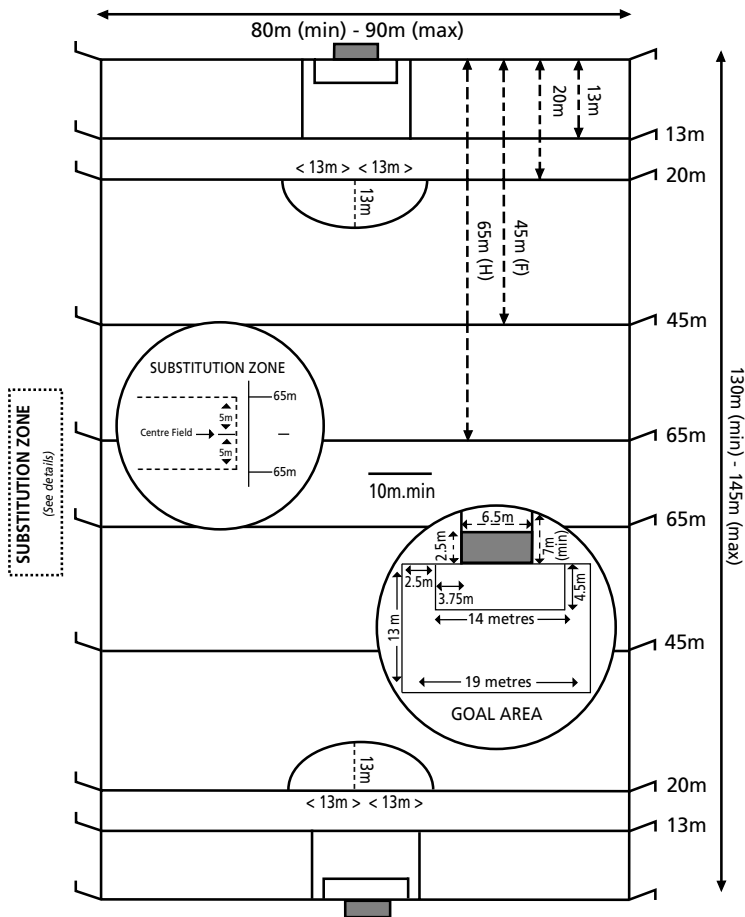


## Part 2

### Contents

	<b>Page</b>
<b>The Field of Play Diagram</b>	4
<b>Rules of Specification</b>	5
<b>Rules of Control</b>	14
<b>The Playing Rules of Hurling</b>	24
Line-Out Diagram	25
The Play	26
Set Play	28
Scores	33
Technical Fouls	34
Aggressive Fouls	40
Dissent	46
<b>The Playing Rules of Football</b>	48
Line-Out Diagram	49
The Play	50
Set Play	53
Scores	58
Technical Fouls	60
Aggressive Fouls	66
Dissent	71
<b>Important Terms and Definitions</b>	73
<b>Index</b>	77

# The Field of Play For Hurling and Gaelic Football



# Rules of Specification

## RULE 1 - THE FIELD OF PLAY

- 1.1 The field of play shall be rectangular, and its dimensions shall be as follows:  
Length - 130m minimum and 145m maximum.  
Width - 80m minimum and 90m maximum.

### Exception

The dimensions may be reduced by local Bye-Laws for Under 15 or younger grades.

- 1.2 (i) At distances of 13m, 20m, 45m (Football), and 65m (Hurling) from each endline, lines shall be marked across the field parallel to the endline. The intersections of these lines and of the endlines with the sidelines shall be marked by flags.

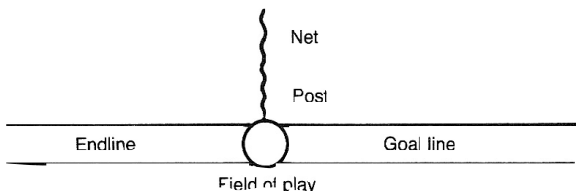
The midline of the field shall be marked parallel to the endlines, and shall have a minimum length of 10m.

Boundary lines are part of the field of play.

- (ii) All lines on the field of play shall be 90 mm  $\pm$  13mm wide.  
All lines shall be marked in white with a suitable marking material.

- 1.3 (i) THE SCORING SPACE shall be at the centre of each endline. Each shall be formed by two goalposts, circular in cross section, which shall

have a height of not less than 7m above ground level, and be 6.5m apart.  
The inside edge of the endline shall be at a tangent to the front edge of the base of the goalposts (See diagram).



- (ii) A CROSSBAR shall be fixed to the goalposts at a uniform height of 2.5m above the ground. The crossbar shall have a rectangular or circular cross section. When rectangular, it shall have a depth of  $140\text{mm} \pm 10\text{mm}$  and a width not less than 50mm. When circular, it shall have a uniform diameter of  $125\text{mm} \pm 5\text{mm}$ .
- (iii) GOALNETS shall be securely fixed to the back of the crossbar and the back of each goalpost. The roof of the net shall be supported for a horizontal distance of not less than 900mm, at crossbar height, by a metal net support fixed to the back of the goalposts. The mesh of the net shall have a diagonal length not exceeding 150mm for football and 50mm for hurling.

### Exception

The dimensions of the **Scoring Space** may be reduced by local Bye-Laws for Under 15 or younger grades.

- 1.4 TWO RECTANGLES of the following dimensions shall be formed in front of each scoring space.
- (a) One rectangle, 14m by 4.5m, shall be formed by two lines 4.5m long and at right angles to the endline being marked 3.75m from the inside of each goalpost, and the ends of these lines being joined.
  - (b) A second rectangle, 19m by 13m, shall be formed by two lines 13m long at right angles to the endline being marked 6.25m from the inside of each goalpost, and the ends of these lines being joined.
  - (c) The endline, including the goal-line, is part of each rectangle, the other three lines enclose the area of that rectangle.
- 1.5 A semi-circular arc of 13m radius, centred on the mid-point of the 20m line, shall be marked outside of each 20m line.
- 1.6 **Substitution Zone.**  
An area of the sideline, extending 5m. on either side of the centre line, shall be marked as the Substitution Zone, and all the players coming off/going on to the field of play in acts of substitution/temporary substitution shall go through this point, when given permission by the Referee.

### **Exception**

An injured player may leave the field at the nearest point to him.

- 1.7      **FLAGS:** All flags used on boundary lines shall have smooth rounded tops.

## **RULE 2 - THE PLAYERS**

- 2.1      A team shall consist of fifteen players.

### **Exception**

A County Committee may reduce the number for non-Championship games.

- 2.2      A team may commence a game with thirteen players but shall have fielded fifteen players, inclusive of players ordered off or retired injured, by the start of the second half. In the event of failure to comply with this, the game shall continue.

- 2.3      Players arriving late may join in the game during a break in play but must report to the referee before so doing.

- 2.4 (i)    A maximum of five substitutions shall be allowed. A substitution is not allowed in the case of a player ordered off.
- (ii)    For extra time, a further three substitutions shall be allowed. A player ordered off, in any circumstance, during the drawn game, may not play in extra time but may be replaced.



In relation to (i) and (ii) above,  
Temporary Substitutions are also permitted, as  
provided for in Rule 1.5 (b) Rules of Control -  
Injuries: Blood.

- (iii) A substitution may only be made during a break in play, after the player has given a substitution note to the Referee, or in the case of a Inter-County Senior game, to the Sideline Official. This shall also apply to a Temporary Substitution allowed under Rule 1.5 (b), Rules of Control - Injuries: Blood.
- (iv) In Inter-County games, all substitutions and temporary substitutions must be from players on the official list submitted to the referee.

## 2.5 LIST OF PLAYERS

- (i) Before all official games, the referee shall be given a list of players, in duplicate and in Irish, giving full Christian names. The first fifteen names appearing on a list shall be taken as constituting the actual team, unless otherwise clearly indicated.
- (ii) In Inter- County Games:
  - (a) The list of players shall be numbered from 1 to 24, and shall name the Clubs to which the players belong.  
**Exception** - In Inter-County Senior games, the list of players shall be numbered from 1 to not more than 30.
  - (b) All players shall be from the list submitted to the referee prior to the game.
  - (c) For extra time, players shall be from the list submitted to the referee prior to the game.

## RULE 3 - TIME

- 3.1 A team shall take the field not later than ten minutes before the appointed starting time for Senior Inter-County Championships, National League Finals, Railway Cup Finals, All-Ireland, Provincial and County Senior Championships Finals, and not later than five minutes before the appointed starting time in all other games. For extra time, play shall commence not more than ten minutes after the end of the drawn game.
- 3.2 The playing time shall consist of two periods of thirty minutes each, but time shall be added on in each period for incidental or deliberate delays.
- Exceptions**
- (i) In Inter-County Senior Championship and National League games, the playing time shall consist of two periods of 35 minutes each.
  - (ii) The playing time may be reduced by local Bye-Laws for Under 15 or younger games.
- 3.3 An interval, not exceeding ten minutes, shall be allowed at half-time, following which the teams shall change ends.

### **Exception**

In Inter-County Senior Championship games, the interval shall consist of a maximum of fifteen minutes.

- 3.4 Subject to the provisions of Rule 3.5, if a game in a knock-out competition ends in a draw, teams may, by consent, play extra time consisting of two periods of ten minutes each way, which extra time shall be obligatory in the case of a further draw in a replay.
- 3.5 Where the Committee in Charge makes a decision prior to the start of a Competition, extra time shall be obligatory in the following competitions - Inter-County Senior Football Qualifier Competition (excluding Quarter-Finals), Inter-County Championships in Under 21 Hurling and Football (excluding All-Ireland Finals), Senior B Hurling, Intermediate Hurling, Junior Hurling and Football, the knock-out stages of the National Leagues, Interprovincial Competitions, Oireachtas and other Inter-County Tournaments, the Sigerson and Fitzgibbon Cups, and any other games in subsidiary competitions
- 3.6 If a game in a knock-out Club Competition at underage, up to and including Minor, ends in a draw, two periods of extra-time of ten minutes each shall be played.
- Exception** - Extra time is not mandatory in the first game of County Minor Championship Finals.
- 3.7 In extra time, an interval not exceeding five minutes shall be allowed at half time, during which time teams shall remain on the field of play.

## RULE 4 - EQUIPMENT

- 4.1 (i) Club teams shall wear their registered distinctive colours in inter-club competitions. Where there is a similarity of colours, the teams shall change to their alternative registered colour(s), approved by the County Committee.
- (ii) County teams shall wear their registered distinctive colours in Inter-County competitions. Where there is similarity of colours, the two counties shall wear their registered alternative colour(s) or other colours authorised or directed by the Committee in Charge.
- (iii) In all games, the goalkeeper shall wear a jersey which is distinctive from his own team's and the opposing team's colours.
- 4.2 (a) In all Hurling Games and Hurling Practice Sessions it is mandatory for all players up to and including Under 21 Grade to wear a helmet with a facial guard
- (b) A referee shall not allow a helmet to be worn in a football game.
- 4.3 (i) The circumference of the hurling ball (sliotar) shall be between 23cm. and 25cm. The ball weight (mass) shall be between 110 and 120 grams. The rib shall not exceed 2.4mm. and shall not be less than 2.2mm. The thickness of the leather cover shall not be less than 1.8mm. The leather cover shall conform with the designated Irish standard. The use of laminated splits, laminated corrected grain, or

laminated full grain leathers shall be excluded.

- (ii) The football shall not weigh less than 450g. and not more than 485g. and have a circumference of not less than 68cm. and not more than 70cm.

**Exception** - The dimensions may be reduced by local Bye-Laws for under 15 or younger grades.

- (iii) Sliotars/Footballs shall be approved for use on the basis of compliance with standards and tests set out by Central Council.

4.4 The bas of a hurley at its widest point shall not be more than 13cm.

4.5 An artificial tee of a standard approved by the Central Council may be used for a kick-out in football

# Rules of Control

## RULE 1 - CONTROL OF THE GAMES MATCH OFFICIALS

Control of the Games shall be entrusted to a Referee, four Umpires and two Linesmen who shall decide on the field all matters affecting play.

A Sideline Official shall be appointed for all Inter-County Senior games.

### 1.1 **POWERS OF THE REFEREE**

The Referee's decision on any question of fact (except as provided for in Rule 144, Part 1, Official Guide) and in regard to time, shall be final.

The referee shall have the following powers:

- (i) To appoint a replacement referee, if he is unable to act or unable to contact the Secretary of the Committee in Charge.  
  
Otherwise, the Secretary of the Committee in Charge shall appoint a replacement referee.
- (ii) To declare the ground or other conditions unsuitable for play after consulting, where feasible, with the Officials in Charge of the fixture.
- (iii) To consult with the umpires and/or linesmen concerning infringements of the Playing Rules, in particular rough or dangerous play, striking,

- hitting or kicking. The referee may apply the appropriate rule following such consultations.
- (iv) To order a player with an injury involving bleeding to leave the field of play for medical and/or other attention
  - (v) To over-rule a decision of a linesman or umpire(s).
  - (vi) To award a score when the ball has been prevented from going over the goal-line or crossbar by anyone other than a player or the referee.
  - (vii) To terminate a game because of outside interference, or any other serious reason that merits such action.
  - (viii) To terminate a game, having first given a three minute warning to the captain or official in charge of the team or the players involved, in any of the following circumstances: -
    - (a) A player refusing to leave the field when ordered off, or having been ordered off, rejoins the game;
    - (b) A team or player(s) leaving the field either without the referee's permission, or refusing to continue playing.

## 1.2 **DUTIES OF THE REFEREE**

- (i) To control the game in accordance with the Playing Rules.
- (ii) To receive lists of players, sign them in Irish,

and give a copy to the opposing team before the game.

- (iii) To ensure that all players are correctly and safely attired, and that all playing equipment conforms with the rules.
- (iv) To keep a record of scores, the names of players injured, replaced, substitutes taking part, temporary substitutes under Rule 1.5 (b) Injuries : Blood, any instance of late fielding or of exceeding the half-time interval, and the intrusion of unauthorised persons onto the field of play.
- (v) To record playing time, and to extend time in each half for deliberate or incidental delay or to allow for a free - awarded before time had expired - to be taken. Should the defending team commit a further foul before the referee whistles for full-time, he shall further extend the time to permit an additional free to be taken, from which a score can be made, provided no other player of the side taking the free touches the ball.
- (vi) To obtain the signature, full address, and club of any player participating in the game, if requested by a captain or responsible team official.
- (vii) (a) To caution a player who commits a cautionable foul/infraction, by taking his name and showing him a yellow card,



which caution, unless (b) or (c) below has been applied, shall carry over into extra-time, where played.

- (b) To order off a player who commits a second cautionable foul/infraction, by showing him a second yellow card, followed by showing him a red card.
- (c) To order off a player who commits an ordering off foul/infraction by taking his name (if not already taken) and showing him a red card.
- (viii) To report any irregularities in respect of dimensions, markings or unsatisfactory condition of the field of play, and to report any official protest made by a team captain before the game in relation to irregularities in dimensions or markings of the field of play.
- (ix) To present the ball to the captain of the winning team at the end of a Provincial or All-Ireland Final.
- (x) To blow the whistle when a foul has been committed or when the ball has gone out of play. To blow the whistle or give a signal to restart play. Once the referee has given a decision and has sounded his whistle to restart play, he shall not alter that decision.
- (xi) To indicate the place from which all free kicks or free pucks shall be taken.

### 1.3 **COMMENCING PLAY**

- (i) The referee shall toss a coin for choice of ends in the presence of the team captains. This procedure shall be repeated for extra time, where played.
- (ii) Two players from each team shall stand one behind the other on their own defensive side of the halfway line, and shall face the referee, for the throw in.

The other players, shall be in their respective positions behind the 45m line (Football) or 65m line (Hurling).

- (iii) The referee, facing the players, shall throw in the ball over the heads of the players (Football) and along the ground between the players (Hurling).
- (iv) Regulations (ii) and (iii) above shall also apply for the start of the second half.

### 1.4 **INCURSIONS** - A Team Official shall not enter the Field of Play.

**Exception** - The Referee may give his permission to a Team Medical Officer or one authorised Official to enter the Field of Play to examine an injured player.

### 1.5 **INJURIES**

- (a) **Injuries: General** - Play shall not be stopped for injury to a player, except in exceptional

circumstances to enable a seriously injured player to be treated on the field or removed from the field of play. All other Injuries shall be treated off the field of play.

- (b) **Injuries: Blood** - A player who is bleeding or who has blood on any part of his body, playing attire or playing equipment, as a result of an injury sustained during play, shall on the instruction of the Referee, immediately leave the field of play to receive medical and/or other attention. He shall not be allowed to return to the field of play until the bleeding has stopped, all blood has been cleaned off and, where possible, the injured area has been covered, any blood-stained playing attire has been replaced and any blood-stained equipment has been fully cleaned. In that circumstance, a Temporary Substitute may be used, and the following acts shall not count as substitutions under Rule 2.4 (i) and (ii), Rules of Specification.
- (1) The use of the Temporary Substitute for a player instructed to leave the field under the Rule.
  - (2) The return to the field of play of the injured (blood) player as a direct replacement for the Temporary Substitute.
  - (3) The return to the field of play of the injured (blood) player as a replacement for any other player if the Temporary Substitute has previously been sent off or substituted.

## 1.6 **REPORT OF REFEREE**

The Referee shall normally submit his report, together with a copy of each team list, within a period of three days of the game, to the Committee or Council in Charge. When the Committee in Charge deems it necessary, the report shall be submitted within 24 hours.

The report shall contain:-

- The result of the game.
- The names of the umpires and linesmen.
- The time each team took the field.
- The time the game started.
- If the interval was exceeded, a statement of the reason.
- The names of players injured, replaced, and substitutes taking part.
- The name(s) of temporary substitutes under 1.5(b) Injuries: Blood.
- The names of players cautioned or ordered off, and the exact reason(s).
- The name of any official or spectator who interfered during the course of the game.
- Any other breaches of the regulations.

## **RULE 2 - UMPIRES**

There shall be two goal umpires at each end of the field of play. An umpire shall stand behind each goalpost and behind the endline. The umpires shall remain at the same end for the duration of the game.

## 2.1 **POWERS OF UMPIRES**

The umpires shall decide if a score is made, or if the ball has crossed the endline for a wide, or for a 45m or 65m free, subject to Rule 1.1(v) above.

## 2.2 **DUTIES OF UMPIRES**

- (i) The umpires shall signal their decisions as follows:
  - (a) A 45m free in Football or a 65m free in Hurling by raising an arm upright, and then pointing directly infield, at the place where the ball passed over the endline.
  - (b) A wide by crossing both arms above the head.
  - (c) A score by raising a green flag for a goal or a white flag for a point, in front of the scoring space.
  - (d) A decision to disallow a score by crossing the flags at the centre of the scoring space.
- (ii) The umpires shall bring to the notice of the referee, during a break in play, any instances of foul play in particular, rough or dangerous play, striking, hitting, or kicking, or unauthorised incursions onto the field of play, which have not been noticed by the Referee.

## **RULE 3 - LINESMEN**

There shall be one linesman on each sideline. Linesmen shall change sides at half-time. However, failure to do so will not affect the result of the game.

- 3.1 **DUTIES OF THE LINESMEN**
- (i) The Linesmen shall indicate by flag signal:
    - (a) when and where a ball crosses the sideline.
    - (b) which side is entitled to the sideline kick or puck, and
    - (c) where the kick or puck is to be taken from.
  - (ii) Where a ball is played across a sideline by opposing players simultaneously, or when the linesman is unsure which team played the ball over the sideline, the Linesman, facing the players, shall throw in the ball.
  - (iii) A Linesman's decision is subject to Rule 1.1 (v) above.
  - (iv) The Linesmen, where neutral, shall control the operation of the Substitution Zone, and shall assist the referee in regard to the introduction of substitutes, and of temporary substitutes under Rule 1.5(b) Injuries: Blood. Where linesmen are not neutral, these functions shall be controlled by the Referee.
  - (v) The Linesmen shall bring to the attention of the referee, during a break in play, any instances of foul play, in particular rough or dangerous play, striking, hitting, or kicking, or unauthorised incursions onto the field of play, which have not been noticed by the Referee.

## **RULE 4 - SIDELINE OFFICIAL**

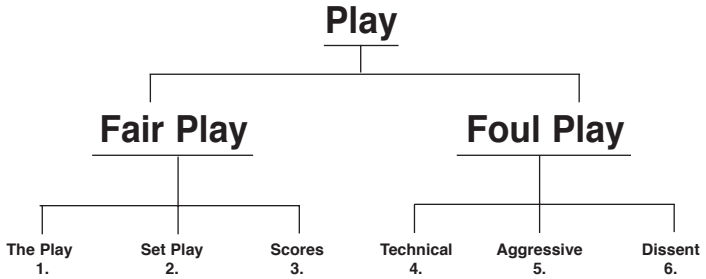
A Sideline Official shall officiate at Inter-County Senior games.

#### 4.1 **Duties of Sideline Official**

- (a) To receive substitution notes giving the name and number of a substitute or temporary substitute and the name and number of the player being substituted or replaced.
- (b) To record and report all substitutions and temporary substitutions made during a game to the Referee for inclusion in the match report.
- (c) To display by means of electronic or manual board the numbers of players being substituted.
- (d) To display by means of electronic or manual board the additional amount of time, if any, which will be played at the end of each half, as indicated by the Referee to the Linesman.

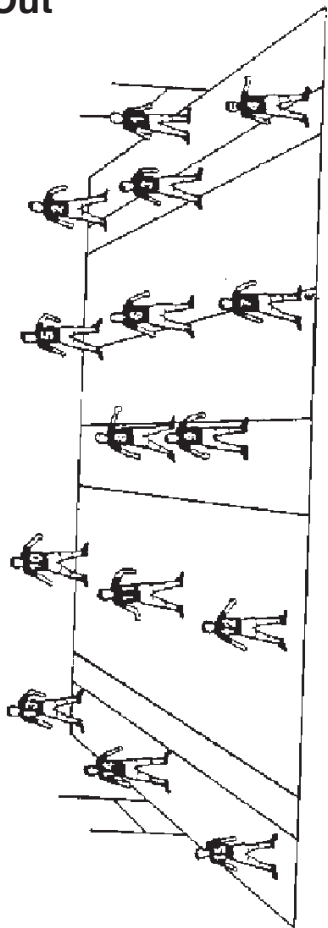


# The Playing Rules of Hurling





## Line Out



# The Rules of Hurling

## Rules of Fair Play

### RULE 1 - THE PLAY

- 1.1 The ball is in play once it has been thrown in or pucked, after the referee has given a signal to start or restart play, and it remains in play until:
- (a) the referee signals a stop;
  - (b) the ball has passed completely over any boundary line or strikes any flag marking the boundary lines;
  - (c) the ball has been prevented from going over any boundary line or is touched in play by anyone other than a player.
- 1.2 The ball may be struck with the hurley when it is on the ground, in the air, tossed from the hand or lifted with the hurley.
- 1.3 A player may run with the ball balanced on or hopping on his hurley.
- 1.4 A player may catch the ball, play it on his hurley, and bring it back into his hand once. A player who has not caught the ball may play it from the hurley into his hand twice.
- 1.5 The ball may be struck with the hand, kicked, or lifted off the ground with the feet.

- 1.6 The ball may not be touched on the ground with the hand(s), except when a player is knocked down or falls and the ball in his hand touches the ground.
- 1.7 The ball may be carried in the hand for a maximum of four consecutive steps or held in the hand for no longer than the time needed to take four steps.
- 1.8 Player(s) may tackle an opponent for the ball.
- 1.9 Provided that he has at least one foot on the ground, a player may make a side-to-side charge on an opponent-
- (a) who is in possession of the ball, or
  - (b) who is playing the ball, or
  - (c) when both players are moving in the direction of the ball to play it.
- When he is within the small rectangle, the goalkeeper may not be charged but he may be challenged for possession of the ball, and his puck, kick or pass may be blocked. Incidental contact with the goalkeeper while playing the ball is permitted.
- 1.10 For a run-up to a free puck, side-line puck, or puck-out, a player may go outside the boundary lines, but otherwise players shall remain within the field of play.
- 1.11 A player may hold up his hurley or hand(s) to intercept a free puck.

## RULE 2 - SET PLAY

- 2.1 The referee, facing the players, starts the game and restarts it after half-time by throwing in the ball between two players from each team, who shall stand one behind the other in their own defensive sides of the half-way line. All other players shall be in their respective positions behind the 65m lines.
- 2.2 After a foul, play is restarted by a free puck or a throw-in where the foul(s) occurred.

### Exceptions

- (i) In the case of fouls by defending players within the rectangles, the following shall apply:  
A penalty puck shall be awarded for an Aggressive Foul within the large rectangle. The penalty puck shall be taken from the centre point of the 20m line. A free puck from the centre of the 20m line shall be awarded for a Technical Foul within the large rectangle.
- (ii) A free puck, awarded for a foul by a defending player inside his own 20m line but outside the large rectangle, shall be taken from the 20m line opposite where the foul occurred.
- (iii) When a player is fouled immediately after he plays the ball away, and a score results, it shall stand. Otherwise, the referee shall award a free-puck from where the foul occurred or, if more advantageous, from where the ball lands or crosses the side-line.

With the option of a free being awarded from where the foul occurred being retained, the rule shall apply in the following circumstances as outlined:-

- (a) If the ball lands over the end-line, a free shall be given on the 20m line opposite the place where the ball crossed the end-line;
- (b) If the ball lands inside the opponents' 20m line, a free shall be given from the 20m line opposite the place where the ball crossed this line.
- (iv) Where otherwise specified in the penalties listed in Rule 4, Sections 14, 15, 16, 17, 18, 19, 27, 28, 29, 30 and Rule 6.2
- (v) When play is restarted by throwing in the ball after a foul(s) between the end-line and the 20m line, the throw-in shall be given on the 20m line, opposite where the foul(s) occurred.

All players, except the player taking the free puck (excluding penalties), shall be 20m from where the free puck is being taken **or** all players, except those two contesting the throw-in, shall be 13m from where the throw-in is awarded.

### 2.3

A penalty puck shall be taken at the centre point of the 20m line and the semi-circular arc, and only three defending players may stand on the goal-line. All other players, with the exception of the player taking the puck, shall be outside the 20m line, and shall not cross the

20m line or the arc until the ball has been struck. If a defending player(s) fouls before the ball is struck and a goal does not result, the referee shall allow the penalty puck to be retaken.

- 2.4 When opposing players foul simultaneously, play is restarted by throwing in the ball.
- 2.5 For all free pucks, including penalties, the ball may be struck with the hurley in either of two ways:

- (a) Lift the ball with the hurley at the first attempt and strike it with the hurley.
- (b) Strike the ball on the ground.

If a player taking a free puck or penalty fails to lift the ball at the first attempt, or fails to strike it with the hurley, he must strike it on the ground without delay. Only when he delays, may a player of either side approach nearer than 20m. except in the case of penalties.

- 2.6 When the ball is played over the end-line by the team attacking that end or after a score, play is restarted by a puck-out from within the small rectangle.

The player taking a puck-out shall take the ball into his hand, but should he miss his stroke, the ball may be struck on the ground or may be raised with and struck with the hurley, but not taken into his hand again before striking it. The player taking the puck-out may strike the ball more than once before another player touches it.

All players shall be outside the 20m line until the ball has been struck except the goalkeeper and the player taking the puck-out - if other than the goalkeeper.

The ball shall travel 13m before being played by another player of the defending team.

2.7 When the ball is played over the end-line and outside the goal-posts by the team defending that end, a free puck shall be awarded to the opposing team on the 65m line opposite where the ball crossed the end-line.

2.8 When a team plays the ball over the side-line, a free puck from the ground shall be awarded to the opposing team at the place where the ball crossed the side-line. If opposing players play the ball simultaneously over the side-line, or if the officials are not sure which team played the ball last, the linesman shall throw in the ball between one player from each team. A ball that strikes a side-line or corner flag shall be treated as having crossed the side-line. A player on the team awarded a side-line puck shall place the ball on the side-line at the place indicated by the linesman. All players except the player taking the side-line puck, or the two players contesting the throw-in, shall be at least 13m from the ball until it is struck or thrown in.

If a player taking a side-line puck fails to strike the ball at the first attempt, he shall not delay in making a second attempt. Only when the player delays his second attempt to strike the

ball may a player from either side approach nearer than 13m.

- 2.9 If the ball touches any non-player during play, play is restarted by throwing in the ball at the place concerned, but if the ball touches any non-player from a free puck, the free shall be retaken.

**Exceptions**

- (i) As provided in Rule 3.3(a).
- (ii) If the ball has been prevented from going over a boundary line by a non-player other than the referee, it shall be treated as having crossed the line, and the referee shall make the appropriate award.



## RULE 3 - SCORES

- 3.1 A **goal** is scored when the ball is played over the goal line between the posts and under the crossbar by either team.  
A **point** is scored when the ball is played over the crossbar between the posts by either team.  
A goal is equivalent to three points.  
The team with the greater final total of points is the winner.

### Exceptions

- A player on the team attacking a goal who is in possession of the ball may not score;
- (i) by carrying the ball over his opponents' goal-line, or
  - (ii) with his hand(s)
- 3.2 A score may be made by striking the ball in flight with the hand(s).
- 3.3 (a) A score shall be allowed if, in the opinion of the referee, the ball was prevented from crossing the goal-line by anyone other than a player or the referee.
- (b) If part of the goal-posts or crossbar is displaced during play, the referee shall award the score which he considers would have resulted had a part not been displaced.
- 3.4 If a defending player plays the ball through his own scoring space in any manner, this shall count as a score.

# Rules of Foul Play

## RULE 4 - TECHNICAL FOULS

- 4.1 To overcarry or overhold the ball.
- 4.2 To throw the ball.
- 4.3 To lift the ball off the ground with the knees.
- 4.4 To lie on the ball.
- 4.5 To touch the ball on the ground with the hand(s), except when a player falls or is knocked down and the ball in his hand touches the ground.
- 4.6 To catch the ball more than twice before playing it away.
- 4.7 To toss the ball with the hand and catch it without playing it with the hurley.
- 4.8 To drop the hurley intentionally, or to throw the hurley in a manner which does not constitute a danger to another player.
- 4.9 To tip an opponent's hurley in the air or to tip it up with hurley or foot, for the purpose of allowing the ball to pass through.
- 4.10 For an attacking player to enter opponents' small rectangle before the ball enters it during the play.

### Exceptions

- (i) If an attacking player legally enters the small rectangle, and the ball is played from that area but is returned before the attacking player has time to leave the area, provided that he does not play the ball or interfere with the defence, a foul is not committed.

- (ii) When a point is scored from outside the small rectangle and the ball is sufficiently high to be out of reach of all players, the score shall be allowed even though an attacking player may have been within the small rectangle before the ball - provided that the player in question does not interfere with the defence.
- 4.11 (a) For a player on the team awarded a free puck to stand or move nearer than 20m to the ball before it is struck.
- (b) For a player on the team awarded a side-line puck to stand or move nearer than 13m to the ball before it is struck.
- (c) For a player on the team awarded a penalty puck to be inside the 20m line or the arc before the ball is struck.
- 4.12 For a player attacking a goal to carry the ball over opponents' goal-line.
- 4.13 For a player on the team attacking a goal, who is in possession of the ball, to score with the hand(s).

**PENALTY FOR ABOVE FOULS - Free puck from where the foul occurred, except as provided under Exceptions of Rule 2.2.**

- 4.14 To be inside opponents' 20m line before a puck-out is taken after a wide.

**PENALTY - Free puck from the defenders' 20m line opposite where the foul occurred.**

- 4.15 To take the puck-out from outside the small rectangle.

**PENALTY - 65m free opposite where the foul occurred.**

- 4.16 (a) For a player on the team defending a penalty puck, with the exception of the three defending players on the goal-line, to be inside the 20m line or the semi-circle before the puck is taken.
- (b) For any of the three players defending a penalty on the goal-line to move nearer than 20m to the ball before the penalty puck is taken.

**PENALTY - If a goal is not scored, the referee shall allow the penalty puck to be retaken.**

- 4.17 (a) For an opposing player to be nearer than 20m to the ball before a free puck is struck.
- (b) For an opposing player to be nearer than 13m to the ball before a side-line puck is struck.

**PENALTY FOR THE ABOVE FOULS - Free puck 13m more advantageous than the place of original puck - up to opponents' 20m line.**

- 4.18 To delay an opponent taking a free puck or side-line puck by hitting or kicking the ball away, not releasing the ball to the opposition, or by deliberately not moving back to allow the puck to be taken.
- 4.19 To interfere with a player taking a free puck or side-line puck by jumping up and down,

waving hands or hurley, or any other physical or verbal interference considered by the referee to be aimed at distracting the player taking the puck.

### **Exception**

A player holding his hands or hurley upright shall not constitute an interference.

### **PENALTY - Free puck 13m more advantageous than the place of original puck - up to opponents' 20m line.**

- 4.20 To reset the ball for a free/penalty/sideline puck without the referee's permission after the whistle has been blown for the free/penalty/sideline puck to be taken.
- 4.21 To play the ball again after taking a free/penalty/sideline puck before another player has played it, unless the ball rebounds off the goal-posts or crossbar.
- 4.22 To foul a free puck by making a second attempt to lift the ball, to hop the ball on the hurley, or to take the ball in the hand.
- 4.23 For the player taking a side-line puck to attempt to lift the ball with his hurley.
- 4.24 To make a divot for the purpose of teeing up the ball for a free puck or side-line puck.
- 4.25 To advance the ball deliberately from the place at which a free puck or side-line puck is to be taken.

4.26 To waste time by delaying a free puck or side-line puck awarded to own team.

**PENALTY FOR THE ABOVE FOULS -**

**(i) Cancel free puck or side-line puck.**

**(ii) Throw in the ball where the foul occurred, except as provided under Exception (v) of Rule 2.2.**

4.27 For the player taking the puck-out and, having missed a stroke, to take the ball into his hand a second time before striking.

4.28 To be inside own 20m line when one's team is taking a puck-out except as provided in Rule 2.6.

4.29 For another player on the team taking the puck-out to play the ball before it has travelled 13m.

4.30 To waste time by delaying own puck-out.

**PENALTY FOR ABOVE FOULS -**

**(i) Cancel puck-out.**

**(ii) Throw in the ball on defenders' 20m line opposite the scoring space.**

4.31 For a player(s) from each team to foul simultaneously.

**PENALTY - Throw in the ball where the foul(s) occurred, except as provided under Exception (v) of Rule 2.2.**

4.32 To go outside the boundary lines to gain an advantage except as permitted by Rule 1.10.

- 4.33 To interfere with the goal-posts to distract opponents or to gain an advantage.

**PENALTY FOR THE ABOVE FOULS -  
Caution offender; order off for second  
cautionable offence.**

- 4.34 When a team commits a Technical Foul, the referee may allow the play to continue if he considers it to be to the advantage of the opposing team. Once he allows play to continue, he may not subsequently award a free for that foul. He shall apply any relevant disciplinary action.

## **RULE 5 - AGGRESSIVE FOULS**

- 5.1 To strike or to attempt to strike an opponent with head, arm, elbow, hand or knee.
- 5.2 To strike or to attempt to strike an opponent with a hurley, with minimal force.
- 5.3 To strike an opponent with a hurley, either with force or causing injury.
- 5.4 To attempt to strike an opponent with a hurley, with force.
- 5.5 To kick or attempt to kick an opponent, with minimal force.
- 5.6 To kick an opponent, either with force or causing injury.
- 5.7 To attempt to kick an opponent, with force.
- 5.8 To stamp on an opponent.
- 5.9 To behave in any way which is dangerous to an opponent.
- 5.10 To inflict injury recklessly on an opponent by means other than these stated above.
- 5.11 To spit at an opponent.
- 5.12 To contribute to a melee.
- 5.13 To strike, attempt to strike, to interfere with, or to use threatening or abuse language or conduct to a Match Official.
- 5.14 To assault an opposing Team Official.

### **Penalty for the above Fouls -**

- (i) Order offender off.**
- (ii) Free puck from where Foul occurred, except as provided under Exceptions of Rule 2.2**



- 5.15 To commit any of the Fouls listed in Rule 5.1 to 5.11 inclusive against a team-mate.
- Penalty**
- (i) **Order offender off.**
- (ii) **Throw in the ball where the Foul occurred except as provided under Exception (v) of Rule 2.2**
- Remainder of the Sections of the Rule to be renumbered but otherwise unaltered.**
- 5.16 To commit any of the fouls listed in Rule 5.4 to Rule 5.11 inclusive on an opponent, on the field, prior to the start of the game or at half-time.
- PENALTY - Offender shall be treated as ordered off and shall not participate (or further participate) in the game.**
- NOTE: Once the referee has received the list of players, or a substitution/temporary replacement slip which includes the offender's name, the player may not be substituted.**
- 5.17 To pull down an opponent
- 5.18 To trip an opponent with hand(s), foot, or hurley.
- 5.19 To jump at an opponent.
- 5.20 To threaten or to use abusive or provocative language or gestures to an opponent.
- 5.21 To engage in any form of rough play.
- 5.22 To make 'a pull' with the hurley from behind

- and around the body of an opponent that is not consistent with an attempt to play the ball.
- 5.23 To use the hurley in a careless manner.
- 5.24 To throw a hurley in a manner which constitutes a danger to another player(s).
- 5.25 To 'pull' with the hurley before the ball arrives.

**PENALTY FOR ABOVE FOULS -**

- (1) **Caution offender; order off for second cautionable foul.**
- (ii) **Free puck from where the foul occurred except as provided under Exceptions of Rule 2.2.**
- 5.26 To pull or take hold of a faceguard or any other part of an opponent's helmet
- 5.27 To attempt to achieve an advantage by feigning a foul or injury.

**PENALTY FOR ABOVE FOULS -**

- (1) **Caution offender; order off for second cautionable foul.**
- (ii) **If play has been stopped for the foul, a free puck from where play was stopped, except as provided under Exceptions of Rule 2.2.**
- 5.28 To threaten or to use abusive or provocative language or gestures to a team-mate.

**PENALTY FOR ABOVE FOULS -**

- (i) **Caution offender; order off for second cautionable foul.**

**(ii) Throw in the ball where the foul occurred, except as provided under Exception (v) of Rule 2.2.**

- 5.29 (a) To push an opponent or hold an opponent with the hand(s) or hurley.
- (b) To hold opponent's hurley or pull it from his hand(s).
- 5.30 (a) To charge an opponent in the back or to the front.
- (b) To charge an opponent unless:-
- (i) he is in possession of the ball, or
  - (ii) he is playing the ball, or
  - (iii) both players are moving in the direction of the ball to play it.
- (c) To charge an opponent for the purpose of giving an advantage to a team-mate.
- (d) To charge the goalkeeper in his small rectangle.
- (e) For a player in possession of the ball to charge an opponent.
- 5.31 To use the hurley to obstruct an opponent.
- 5.32 To strike an opponent's hurley unless both players are in the act of striking the ball.

**PENALTY FOR THE ABOVE FOULS -**

- (i) Free puck from where foul occurred, except as provided under Exceptions of Rule 2.2**

- (ii) **Caution offender for committing any of the above fouls a second time; order off for a further repetition or for other cautionable foul.**

5.33 For a player to retaliate between the award of a free to his team and the free puck being taken.

**PENALTY -**

- (i) **Cancel free puck.**
- (ii) **Throw in the ball where the original foul occurred, except as provided under Exception (v) of Rule 2.2.**
- (iii) **Apply any other relevant penalty of Rule 5.**

5.34 For a player(s) from each team to foul simultaneously.

**PENALTY -**

- (i) **Throw in the ball where the fouls occurred, except as provided under Exception (v) of Rule 2.2**
- (ii) **Apply any other relevant penalty of Rule 5.**

5.35 When an Aggressive Foul is drawn to the referee's attention by an umpire or linesman, the referee may apply the appropriate penalty as per Rule 5, and shall restart play as per Rule 2.

- 5.36 When a team commits an Aggressive Foul, the referee may allow play to continue if he considers it to be to the advantage of the offended team. Once the referee allows the play to continue, he may not subsequently award a free for that foul. He shall apply the relevant penalty.

## RULE 6 - DISSENT

6.1 To challenge the authority of a match official.

**PENALTY - Caution the offender; order off for second cautionable foul.**

6.2 To fail to comply with a Referee's instruction to wear a helmet with facial guard up to and including the Under 21 Grade.

**Penalty - Caution the offender; order off if he persists.**

6.3 To refuse to leave the field of play, on the instruction of the Referee, for attention, after an injury involving bleeding.

**Penalty - Caution the offender; order off if the continues to refuse**

6.4 To show dissent with the referee's decision to award a free puck to the opposing team.

**PENALTY - The free puck already awarded shall be taken 13m more advantageous than the place of original free puck, up to the opponents' 20m line.**

6.5 (a) To refuse to leave the field of play when ordered off.

(b) To rejoin the game after being ordered off.

### PROCEDURE

**First give a three minute warning to the team captain or the official in charge of the team, or the player(s) involved, and then, if**

**the player(s) refuse(s) to comply, terminate the game.**

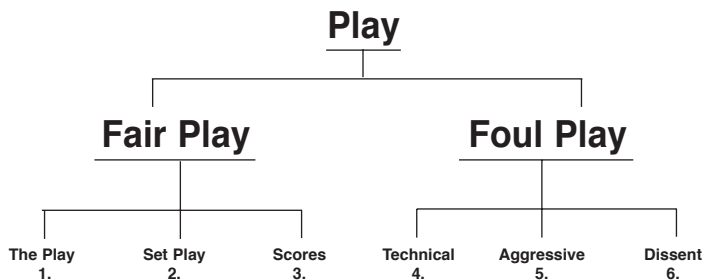
- 6.6 A team or a player(s) leaving the field without the referee's permission or refusing to continue playing.

**PROCEDURE - as in Rule 6.5**

**Any player willing to continue shall give his name to the referee.**

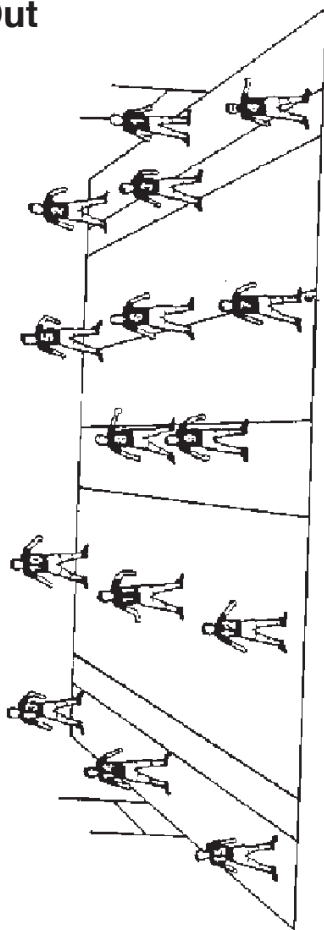


# The Playing Rules of Gaelic Football





## Line Out



# The Rules of Football

## Rules of Fair Play

### RULE 1 - THE PLAY

1.1 The ball is in play once it has been thrown in or kicked after the referee has given a signal to start or restart play, and it remains in play until:

- (a) the referee signals a stop;
- (b) the ball has passed completely over any boundary line or strikes any flag marking the boundary lines;
- (c) the ball has been prevented from going over any boundary line or is touched in play by anyone other than a player.

1.2 When the ball is on the ground, it may be played by any part of the body except the hand(s). It may be lifted off the ground with the feet.

#### **Exceptions**

- (i) The goalkeeper may play the ball on the ground with his hand(s) inside his own small rectangle.
- (ii) Any player who falls or is knocked to the ground while in possession of the ball may fist or palm the ball away on the ground, and may score by so doing.
- (iii) The ball may not be lifted off the ground with the knees.

- 1.3 When the ball is not on the ground, it may be played by any part of the body.
- 1.4 When a player is in possession of the ball, it may be:-
- (a) carried for a maximum of four consecutive steps or held in the hand(s) for no longer than the time needed to take four steps;
  - (b) played from the foot to the hand(s)  
-toe-tapped;
  - (c) bounced once, and once after each toe-tap;
  - (d) changed from one hand to the other once, with the original holding hand maintaining contact until the change is completed;
  - (e) struck with the open hand(s) or fist, provided there is a definite striking action;
  - (f) tossed for a kick, a toe-tap or a pass with the hand(s).

The ball may be knocked from an opponent's hand(s) by flicking it with the open hand.

- 1.5 When the ball has not been caught, it may be bounced more than once in succession.
- 1.6 Player(s) may tackle an opponent for the ball.
- 1.7 Provided he has at least one foot on the ground, a player may make a side-to-side charge on an opponent:-
- (a) who is in possession of the ball, or
  - (b) who is playing the ball, or
  - (c) when both players are moving in the direction of the ball to play it.

When he is within the small rectangle, the goalkeeper may not be charged but he may be challenged for possession of the ball, and his kick or pass may be blocked. Incidental contact with the goalkeeper while playing the ball is permitted.

- 1.8 A goalkeeper may move along his goal-line when a penalty kick is being taken.
- 1.9 For a run-up to a free kick, side-line kick or kick-out, a player may go outside a boundary line, otherwise players shall remain within the field of play.
- 1.10 A player may hold up his hands to intercept a free kick.

## RULE 2 - SET PLAY

- 2.1 The Referee, facing the players, starts the game and restarts it after half-time, by throwing in the ball between two players from each team, who shall stand one behind the other in their own defensive sides of the half-way line. All other players shall be in their respective positions behind the 45m lines.
- 2.2 After a foul, play is restarted by a free kick or a throw-in where the foul(s) occurred.

### EXCEPTIONS

- (i) In the case of fouls by a defending player within the rectangles, the following shall apply:

A penalty kick shall be awarded for an Aggressive Foul within the large rectangle or any foul within the small rectangle. The penalty kick shall be taken from the ground at the centre point of the 13m line. A free kick from the centre of the 13m line shall be awarded for a Technical Foul by a defending player within the large rectangle but outside the small rectangle.

- (ii) A free kick awarded for a foul by a defending player inside his own 13m line but outside the large rectangle shall be taken from the 13m line opposite where the foul occurred.

- (iii) When a player is fouled immediately after he plays the ball away and a score results, it shall stand. Otherwise, the referee shall award a free kick from where the foul occurred or, if more advantageous, from where the ball lands or crosses the sideline. With the option of a free being awarded from where the foul occurred being retained, the rule shall apply in the following circumstances as outlined:-
- (a) If the ball lands over the end-line, the free kick shall be given on the 13m line opposite the place where the ball crossed the end-line;
  - (b) if the ball lands inside the opponents' 13m line, a free kick shall be given from the 13m opposite the place where the ball crossed this line.
- (iv) Where otherwise specified in the penalties listed in Rule 4 Sections 14, 15, 16, 17, 18, 19, 20, 26, 27, 28, 29, 30, 31, 32, and Rule 6.2.
- (v) When play is restarted by throwing in the ball after a foul(s) between the end-line and the 20m line, the throw-in shall be given on the 20m line opposite where the foul(s) occurred.

All players except the player taking the free kick shall be at least 13m from where the free kick is awarded, or, all players

except those two contesting the throw-in shall be at least 13m from where the throw-in is awarded.

- 2.3 A penalty kick shall be taken from the ground at the centre point of the 13m line, and only the defending goalkeeper may stand on the goal-line. All other players, with the exception of the player taking the kick, shall be outside the 20m line and the arc, be at least 13m from the ball, and shall not cross the 20m line or the arc until the ball has been kicked. The goalkeeper may move along his line, but may not advance from the goal-line until the ball has been kicked. If a defending player fouls before the ball is kicked and a goal does not result, the referee shall allow the penalty kick to be retaken.
- 2.4 When opposing players foul simultaneously, play is restarted by throwing in the ball.
- 2.5 A free-kick, other than a penalty-kick, may be taken from the hands or from the ground. A player having indicated his option to the referee shall not be permitted to change his decision. The ball shall be stationary when a free kick is taken from the ground.
- 2.6 With the Referee's consent, a free kick may be taken immediately.

### Exceptions

A penalty kick and a free kick awarded to a team from their opponents' 13m line.

- 2.7 (a) When the ball is played over the end-line by the team attacking that end, play is restarted by a kick-out off the ground from within the small rectangle. The player taking a kick-out may kick the ball more than once before any other player touches it but may not take the ball into his hand(s). If the goalkeeper is not taking the kick-out, he shall stay in the small rectangle, and all other players except the player taking the kick-out shall be outside the 20m line until the ball has been kicked. The ball shall travel 13m before being played by another player of the defending team.
- (b) After a score, the kick-out shall be taken from the ground on the 20m line in front of the scoring space. All players, except the goalkeeper and the player taking the kick-out (if other than the goalkeeper), shall be outside the 20m line. All other players shall be 13m from the ball until it has been kicked.
- (c) The Player taking the kick-out after the ball goes wide or a score shall have the option of using a standard tee as approved by Central Council



- 2.8 When the ball is played over the end-line and outside the goalposts by the team defending that end, a free kick off the ground shall be awarded to the opposing team on the 45m line opposite where the ball crossed the end-line.
- 2.9 When a team plays the ball over the side-line, a free kick from the hand(s) shall be awarded to the opposing team from the place where the ball crossed the side-line. If opposing players play the ball simultaneously over the side-line, or if the officials are not sure which team played the ball last, the linesman shall throw in the ball between one player from each team. A ball that strikes a side-line or corner flag shall be treated as having crossed the side-line. All players except the player taking the side-line kick, or the two players contesting the throw-in, shall be at least 13m from the ball until it has been kicked or thrown in.
- 2.10 If the ball touches any non-player during play, play is restarted by throwing in the ball at the place concerned, but if the ball touches any non-player from a free kick, the free kick shall be retaken.

### **Exception**

- (i) As provided in Rule 3.3 (a)
- (ii) If the ball has been prevented from going over a boundary line by a non-player other than the referee, it shall be treated as having crossed the line, and the referee shall make the appropriate award.

## RULE 3 - SCORES

3.1 A **goal** is scored when the ball is played over the goal-line between the posts and under the crossbar by either team.

A **point** is scored when the ball is played over the crossbar between the posts by either team.

A goal is equivalent to three points.

The team with the greater final total of points is the winner.

### Exceptions

A player on the team attacking a goal and who is in possession of the ball may not score: -

- (i) by carrying the ball over his opponents' goal-line;
- (ii) a goal with his hands except as provided in Rule 1.2 Exception (ii);
- (iii) a point with his open hand(s), but may score a point by fisting the ball.

3.2 A score may be made by striking the ball in flight with the hand(s).

3.3 (a) A score shall be allowed if, in the opinion of the referee, the ball was prevented from crossing the goal-line by anyone other than a player or the referee.

(b) If part of the goal-posts or crossbar is displaced during play, the referee shall award the score which he considers would have resulted had a part not been displaced.

- 3.4 If a defending player plays the ball through his own scoring space in any manner, this shall count as a score.

# Rules of Foul Play

## RULE 4 - TECHNICAL FOULS

- 4.1 To overcarry or overhold the ball.
- 4.2 (a) To throw the ball.  
(b) To handpass the ball without a definite striking action.
- 4.3 To lift the ball off the ground with the knees.
- 4.4 To lie on the ball.
- 4.5 To touch the ball on the ground with the hand(s), except as provided in Rule 1.2.
- 4.6 To bounce the ball more than once consecutively after catching it.
- 4.7 To play the ball up with the hand(s) and catch it again before it touches the ground, another player, or goal-posts.
- 4.8 To wrest the ball from an opponent who has caught the ball.
- 4.9 For an attacking player to enter opponents' small rectangle before the ball enters it during play.

### Exception

- (i) If an attacking player legally enters the small rectangle, and the ball is played from that area but is returned before the attacking player has time to leave the area, provided he does not play the ball or interfere with the defence, a foul is not committed.

- (ii) When a point is scored from outside the small rectangle and the ball is sufficiently high to be out of reach of all players, the score shall be allowed even though an attacking player may have been within the small rectangle before the ball - provided that the player in question does not interfere with the defence.
- 4.10 (a) To change the ball from one hand to the other, without the original holding hand maintaining contact until the change is completed.
- (b) To change the ball from one hand to the other more than once, unless the ball is bounced or toe-tapped between the changes.
- 4.11 (a) For a player on the team awarded a free kick or a side-line kick to be less than 13m from the ball before it is kicked.
- (b) For a player on the team awarded a penalty kick to be inside the 20m line or the arc before the ball is kicked.
- 4.12 For a player attacking a goal to carry the ball over opponents' goal-line.
- 4.13 For a player attacking a goal who is in possession of the ball to score a goal with his hand(s) or a point with his open hand(s), except as provided in Rule 1.2 Exception (ii).  
**PENALTY FOR ABOVE FOULS - Free kick from where the foul occurred except as provided under Exceptions of Rule 2.2**
- 4.14 To be inside opponents' 20m line before the kick-out is taken after a wide.

**PENALTY - Free kick from defenders' 20m line opposite where the foul occurred.**

- 4.15 When within own small rectangle to be less than 13m from the ball for opponents' free kick.

**PENALTY - Penalty kick.**

- 4.16 (a) For a player on the team defending a penalty kick, with the exception of the goalkeeper, to be inside the 20m line or the arc before the kick is taken.
- (b) For the goalkeeper defending a penalty kick to move nearer than 13m before the kick is taken.

**PENALTY -**

**If a goal is not scored, the referee shall allow the penalty kick to be retaken.**

- 4.17 For an opposing player to be nearer than 13m to the ball before a free kick or a side-line kick is taken.

**PENALTY - Free kick 13m more advantageous than place of original kick - up to opponents' 13m line.**

- 4.18 To delay an opponent taking a free kick or side-line kick by hitting or kicking the ball away, not releasing the ball to the opposition, or deliberately not moving back to allow a quick free kick to be taken.
- 4.19 To interfere with a player taking a free kick or side-line kick by jumping up and down, waving hands, or any other physical or verbal interference considered by the referee to be aimed at distracting the player taking the kick.

### Exception

A player holding his hands upright shall not constitute an interference.

**PENALTY - FOR THE ABOVE FOULS - Free kick 13m more advantageous than the place of original kick - up to opponents' 13m line.**

- 4.20 For an opposing player to be less than 13m from the ball before a kick-out after a score.

**PENALTY - Free kick 13m more advantageous than place of original kick-out.**

- 4.21 To reset the ball for a kick-out/free kick/penalty from the ground, without the referee's permission, after the whistle has been blown for the kick-out/ free kick/penalty, to be taken from the ground.
- 4.22 To play the ball again after taking a free kick / penalty / sideline kick before another player has touched it, unless the ball rebounds off the goal-posts/crossbar.
- 4.23 To make a divot for the purpose of teeing up the ball for a free kick or kick-out.
- 4.24 To advance the ball deliberately from the place at which a free kick or side-line kick is to be taken.
- 4.25 To waste time by delaying the taking of a free kick or side-line kick awarded to own team.

**PENALTY - For the Above Fouls**

- (i) **Cancel free kick or sideline kick**
- (ii) **Throw in the ball where the foul occurred except as provided under Exception (v) of Rule 2.2**

4.26 To use a kicking tee illegally.

**PENALTY - For the Above Foul**

- (i) **Disallow any resultant score**
- (ii) **Throw in the ball where the foul occurred except as provided under Exception (v) of Rule 2.2**

4.27 For a player taking the kick-out to take the ball into his hand(s) before another player has played it.

4.28 To be inside own 20m line when one's team is taking a kickout, except as provided in Rule 2.7.

4.29 For another player on the team taking the kick-out after a wide to play the ball before it has travelled 13m.

4.30 For a player on the team taking the kick-out after a score, other than the player taking the kick, to be less than 13m from the ball when it is kicked.

4.31 To waste time by delaying own kick-out.

4.32 To take the kick-out after a wide from outside the small rectangle.



- 4.33 To take the kick-out after a score from outside the 20m line.

**PENALTY FOR THE ABOVE FOULS -**

**(i) Cancel kick-out.**

**(ii) Throw in the ball on defenders' 20m line in front of scoring space.**

- 4.34 For a player(s) from each team to foul simultaneously.

**PENALTY - Throw in the ball where the fouls occurred except as provided in Exception (v) of Rule 2.2.**

- 4.35 To go outside the boundary lines to gain an advantage except as provided in Rule 1.9.

- 4.36 To interfere with goal-posts to distract opponents or to gain an advantage.

**PENALTY FOR THE ABOVE FOULS -  
Caution offender; order off for second cautionable foul.**

- 4.37 When a team commits a technical foul, the referee may allow the play to continue if he considers it to be the advantage of the opposing team. Once he allows play to continue, he may not subsequently award a free for that foul. He shall apply any relevant disciplinary action.

## **RULE 5 - AGGRESSIVE FOULS**

- 5.1 To strike or attempt to strike an opponent with head, arm, elbow, hand or knee.
- 5.2 To kick or attempt to kick an opponent, with minimal force.
- 5.3 To kick an opponent, either with force or causing injury.
- 5.4 To attempt to kick an opponent, with force.
- 5.5 To stamp on an opponent.
- 5.6 To behave in any way which is dangerous to an opponent.
- 5.7 To inflict injury recklessly on an opponent by means other than those stated above.
- 5.8 To spit at an opponent.
- 5.9 To contribute to a melee
- 5.10 To strike, attempt to strike, to interfere with, or to use threatening or abusive language or conduct to a Match Official.
- 5.11 To assault an opposing Team Official.

### **Penalty for the above Fouls -**

- (i) **Order offender off.**
- (ii) **Free puck from where Foul occurred, except as provided under Exceptions of Rule 2.2.**
- 5.12 To commit any of the fouls listed in Rule 5.1 to Rule 5.8 inclusive against a team-mate.

### **Penalty -**

- (i) **Order offender off.**

**(ii) Throw in the ball where the Foul occurred, except as provided under Exception (v) of Rule 2.2.**

- 5.13 To commit any of the fouls listed under Rule 5.1 to Rule 5.8 inclusive on an opponent on the field prior to the start of the game or at half-time.

**PENALTY - Offender shall be treated as ordered off and shall not participate (or further participate) in the game.**

**NOTE - Once the referee has received the list of players, or a substitution/temporary replacement slip which includes the offender's name, the player may not be substituted.**

- 5.14 To pull down an opponent.
- 5.15 To trip an opponent with hand(s) or foot.
- 5.16 To jump at an opponent.
- 5.17 To threaten or to use abusive or provocative language or gestures to an opponent.
- 5.18 To block or attempt to block with the boot when an opponent is kicking the ball from the hand(s).
- 5.19 To prevent or attempt to prevent an opponent from lifting or kicking the ball off the ground by striking an opponent's hand, arm, foot or leg with the boot.

- 5.20 To engage in any other form of rough play.  
**PENALTY FOR THE ABOVE FOULS -**
- (i) **Caution the offender; order off for second cautionable foul.**
  - (ii) **Free kick from where the foul occurred except as provided under Exceptions of Rule 2.2.**
- 5.21 To attempt to achieve an advantage by feigning a foul or injury.  
**PENALTY FOR ABOVE FOULS -**
- (1) **Caution offender; order off for second cautionable foul.**
  - (ii) **If play has been stopped for the foul, a free kick from where play was stopped, except as provided under Exceptions of Rule 2.2.**
- 5.22 To threaten or to use abusive or provocative language or gestures to a team-mate.  
**PENALTY -**
- (i) **Caution the offender. Order off for second cautionable foul.**
  - (ii) **Throw in from where the foul occurred except as provided under Exception (v) of Rule 2.2.**
- 5.23 To push an opponent or hold an opponent with the hand(s).

- 5.24 To use the fist on or around the body of an opponent for the purpose of dispossessing him of the ball.
- 5.25 (a) To charge an opponent in the back or to the front.
- (b) To charge an opponent unless:-
- (i) he is in possession of the ball, or
  - (ii) he is playing the ball, or
  - (iii) both players are moving in the direction of the ball to play it.
- (c) To charge an opponent for the purpose of giving an advantage to a team-mate.
- (d) To charge the goalkeeper in his small rectangle.
- (e) For a player in possession of the ball to charge an opponent.

**PENALTY FOR THE ABOVE FOULS -**

- (i) **Free kick from where the foul occurred except as provided under Exceptions of Rule 2.2**
  - (ii) **Caution offender for committing any of above fouls a second time. Order off for a further repetition or for other cautionable foul.**
- 5.26 For a player to retaliate between the award of a free kick to his team and the free kick being taken.

**PENALTY -**

- (i) **Cancel free kick.**
- (ii) **Throw in the ball where the original foul occurred except as provided under Exception (v) of Rule 2.2**
- (iii) Apply any other relevant penalty of Rule 5.

5.27 For a player(s) from each team to foul simultaneously.

**PENALTY -**

- (i) **Throw in the ball where the fouls occurred except as provided under Exception (v) of Rule 2.2.**
- (ii) **Apply any other relevant penalty of Rule 5.**

5.28 When an Aggressive Foul is drawn to the referee's attention by an umpire or linesman, the referee may apply the appropriate penalty, as per Rule 5, and shall restart play as per Rule 2.

5.29 When a team commits an aggressive foul, the referee may allow play to continue if he considers it to be to the advantage of the offended team. Once he allows play to continue, he may not subsequently award a free for that foul. He shall apply the relevant penalty.

## RULE 6 - DISSENT

- 6.1 To challenge the authority of a match official.  
**PENALTY - Caution the offender; order off for second cautionable foul.**
- 6.2 To refuse to leave the field of play, on the instruction of the Referee, for attention, after an injury involving bleeding.  
**Penalty - Caution the offender; order off if he continues to refuse.**
- 6.3 To show dissent with the referee's decision to award a free kick to the opposing team.  
**PENALTY - The free kick already awarded shall be taken 13m more advantageous than the place of original kick - up to opponents' 13m line.**
- 6.4 (a) To refuse to leave the field of play when ordered off.  
(b) To rejoin the game after being ordered off.

### PROCEDURE

**First give a three minute warning to the team captain, or the official in charge of the team, or the player(s) involved, and then, if the player(s) refuses to comply, terminate the game.**

- 6.5 A team or player(s) leaving the field without the referee's permission or refusing to continue playing.

**PROCEDURE - AS IN RULE 6.4**

**Any player willing to continue shall give his name to the referee.**



# Important Terms and Definitions - Football and Hurling

The following list of Definitions of Terms used in the Playing Rules forms an integral part of these rules.

- 1. BOUNCE** For a player to play the ball against the ground with his hand(s) and back to his hand(s) again.
- 2. CATCH** To gain control of the ball with the hand(s) in a way which prevents it falling to the ground.
- 3. CAUTION** To take a player's name and show him a yellow card.
- 4. CHARGE (Fair)** Provided he has at least one foot on the ground, a player may make a side-to-side charge on an opponent (a) who is in possession of the ball, or (b) who is playing the ball or (c) both players are moving in the direction of the ball to play it.
- 5. DELAY (Deliberate)** Deliberately taking too much time to retrieve the ball, or to restart play, or any action which unduly delays the restart of play.

6. DIVOT An elevation formed from the surface of the pitch for the purpose of teeing up the ball on the ground.
7. HANDPASS When in possession, the ball may be struck with the open hand or fist - provided there is a definite striking action, with the striking hand not being in contact with ball before delivering the strike.  
In a two-handed pass, the ball may be struck off a holding hand by the other hand, or released and struck. In a one-handed pass, the ball shall be released from the hand before being struck by the same hand. The releasing of the ball, when used, shall be considered an integral part of the hand/fisted pass.
8. FOUL
- Aggressive To physically or verbally abuse any player or official.
  - Dissent To disagree openly with any official about any decision.
  - Technical To 'foul' the ball, or any other foul that is not aggressive or dissenting.

9. IN FLIGHT            The ball is deemed to be in flight, once it is off the ground, having been played away within the Rules of Fair Play.
10. LIFT                To use the foot or feet to raise the ball from the ground to the hand(s).
11. OVERCARRY        To take more than four steps while holding the ball in the hand(s).
12. OVERHOLD        To hold the ball longer than is required to take four steps.
13. PLAY THE BALL    To touch the ball. The last player touching the ball before it crosses a boundary line shall be considered the last person playing it.
14. 'PULL'  
(FAIR)                To swing the hurley to play or attempt to play the ball.
15. TACKLE            Any attempt to dispossess or reduce the advantage of opponent within the Rules of Fair Play. With the exception of the charge (fair), the tackle is aimed at the ball not the player.
16. THROW            When the ball, held in the hand(s), is played away without a definite striking action.

17. THROW-IN To throw the ball up over the heads of one player from each team (Football), or to throw the ball along the ground between one player from each team (Hurling). For the start of the game and the restart after half-time, the throw-in shall be between two players from each team.
18. TOE-TAP To release the ball from the hand(s) to the foot and kick it back into the hand(s).
19. TOSS  
(Football) To release the ball from the hand(s) to kick it, toe-tap it, or pass it with the hand(s).  
(Hurling) To release the ball from the hand to strike it with the hurley, foot or hand.
20. WREST To attempt to dispossess an opponent who already has a (firm) hold on the ball, by grabbing the ball to take it from him.

# Index

(Note: References in this Index are to Rule-Numbers, NOT page-numbers except where page-numbers are given.)

## PART I Rules of Specification (pages 5 to 13)

### A

Arc the 1.5.

### B

Boundary lines: see Field of Play

### C

Colours

Club 4.1 (i)

County 4.1 (ii)

Goalkeeper's jersey 4.1 (iii)

Crossbar: see Field of Play

### E

Equipment 4

Artificial Tee 4.5

Club Colours 4.1 (i)

County Colours 4.1 (ii)

Exceptions to Dimensions 4.3

Football, Weight/Dimensions 4.3 (ii)

Goalkeeper's Jersey, Colour 4.1 (iii)

Hurling Ball, Weight/Dimensions 4.3 (i)

Hurley 4.4

Hurling Helmet 4.2  
Endlines: see Field of Play  
Extra Time: see Time

## F

### Field of Play 1

Boundary Lines 1.2 (i)  
Crossbar, Location/Dimensions 1.3 (ii)  
Dimensions 1.1  
Endlines 1.2 (i)  
Exceptions (to Dimensions) 1.1, 1.3  
Flags 1.2 (i), 1.7  
Goalnets (Locations, Support, Mesh) 1.3 (iii)  
Goalposts (Height, Space between) 1.3 (i)  
Lines (width & marking) 1.2 (ii)  
Midline 1.2 (i)  
Scoring space  
    Location, Formation 1.3 (i)  
    Rectangles 1.4  
    Shape 1.1  
Flags: see Field of Play  
Football 4.3 (ii)

## G

Goalkeeper, Jersey Colour 4.1 (iii)  
Goalnets: see Field of Play  
Goalposts: see Field of Play

## H

Half-time intervals, see Time  
Helmet, prohibited for football 4.2  
Hurley, width of bas 4.4  
Hurling ball 4.3 (i)

## L

Lines: see Field of Play  
List of Players: see Players

## M

Midline: see Field of Play

## P

Players 2  
Exception 2.1  
Late Arrivals 2.3  
List of Players 2.4(iv), 2.5  
    General Rule 2.5 (i)  
    Inter-County Games 2.5 (ii)  
Substitutions 2.4; see also Part 2 of Index.  
Team  
    of 15 2.1  
    of 13, when permitted 2.2  
Temporary Substitutions 1.6. 2.4; see also Part 2 of Index.  
Playing Time: see Time

## R

Referee  
Hurling Helmet 4.2  
List of Players 2.5  
Substitutions 2.4  
See also Parts 2, 3 and 4 of Index

## S

Scoring space: see Field of Play  
Slíotar: see Hurling Ball  
Substitutions: see Players  
Substitution Zone - 1.6 (pages 7 and 8)

**T**

Team: see Players

Time 3

Exceptions 3.2 (i), 3.2 (ii)

Extra Time 3.1, 3.4, 3.5, 3.6

Half-time Interval 3.3, 3.7

Playing Time 3.2

Taking the Field 3.1



## **PART 2**

# **Rules of Control**

### **(Pages 14 to 23)**

#### **C**

##### **Commencing Play 1.3**

To toss coin for choice of ends 1.3 (i) (Referee)

To throw in the ball (procedures) 1.3 (ii) and (iii) (Referee)

#### **I**

##### **Incursions 1.4**

Team Official shall not enter Field of Play 1.4

To give permission to enter Field of Play 1.4 (Referee)

##### **Infraction 1.2**

##### **Injuries 1.5**

General 1.5 (a)

Play to be stopped only in exceptional circumstances 1.5 (a)

Blood 1.5 (b)

Definition of Blood Injury 1.5 (b)

To instruct player to leave Field of Play 1.5 (b) (Referee)

Circumstances in which Temporary Substitute may be used 1.5 (b)

#### **L**

##### **Linesmen 3**

Duties 3.1

To signal sideline ball 3.1 (i)

To throw in the ball 3.1 (ii)

Subject to being over-ruled by Referee 3.1 (iii) and 1.1 (v),

Control

To control the operation of the Substitution Zone (where neutral) 3.1 (iv)

To bring to attention of Referee instances of foul play 3.1 (v)

## M

### Match Officials 1

#### Control of the Games 1

## R

### Referee 1

#### Powers 1.1

Referee's decision shall be final

(Except as provided in Rule 144, Part 1)1.1

To appoint replacement referee 1.1 (i)

To declare conditions unsuitable 1.1 (ii)

To consult with umpires and or linesman 1.1 (iii)

To order blood-injured player to leave field of play 1.1 (iv)

To over-rule linesmen or umpires 1.1 (v)

To award a score 1.1 (vi)

To terminate a game 1.1 (vii) and (viii)

#### Duties 1.2

To control game in accordance with Playing Rules 1.2 (i)

To receive lists of players 1.2 (ii)

To ensure players are safely attired 1.2 (iii)

To record specified information 1.2 (iv)

To record and manage playing time 1.2 (v)

To obtain signature of any player (if requested) 1.2 (vi)

To caution a player 1.2 (vii) (a)

To order off a player 1.2 (vii) (b) and (c)

To report irregularities in respect of pitch dimensions, markings, conditions 1.2 (viii)

To present ball to captain of winning team 1.2 (ix)

Use of the whistle 1.2 (x)

To indicate places of free 1.2 (xi)

### Report of Referee 1.6

To submit report within three days or twenty four hours (if requested) 1.6

Contents of Report specified 1.6

## S

Sideline Official 4

Duties 4.1

To receive substitution notes 4.1 (a)

To record and report all substitutions and temporary substitutions 4.1 (b)

To display numbers of players being substituted 4.1 (c)

To display the additional amount of time to be played 4.1 (d)

## U

Umpires 2

Location 2

Powers 2.1

To decide if a score is made 2.1

To decide if wide ball 2.1

To decide if 45m or 65m free 2.1

Subject to being over-ruled by Referee 2.1 and 1.1 (v),

Control

Duties 2.2

To signal 45m or 65m frees 2.2 (i) (a)

To signal wide-ball 2.2 (i) (b)

To signal a score 2.2 (i) (c)

To signal a score disallowed 2.2 (i) (d)

To bring to attention of Referee instances of foul play 2.2 (ii)

## **PART 3**

# **Playing Rules of Hurling**

### **(Pages 24 to 47)**

#### **A**

- Abusive/Threatening Language/Gestures to Opponent/Team-mate, 5.20, 5.28
- Advantage Rule 4.34, 5.36
- Aggressive Fouls
  - Against Team Mate 5.15
  - At Half Time (and Prior to Start) commission of certain Aggressive Fouls 5.16
  - Generally 5
- Arc the 2.3, 4.11 (c)

#### **B**

- Ball
  - Advancing from where free, etc. to be taken 4.25
  - Attempting to Lift (side-line puck) 4.23
  - Balanced/Hopping on hurley 1.3
  - Carrying over Opponents' line 4.12
  - Catching - Twice 1.4, 4.6
  - In Play (defined) 1.1
  - Lifting with knees 4.3
  - Lying on 4.4
  - Making divot for 4.24
  - Overcarrying/Overholding 4.1
  - Played from hurley to hand 1.4
  - Played over side-line 2.8
  - Playing again after free/penalty/side-line puck 4.21
  - Playing before travels 13m 4.29
  - Resetting for free/penalty/sideline puck without permission after whistle 4.20
  - Standing/Moving too near when own team awarded free/side-line puck 4.11

Standing/Moving too near when opponents awarded  
     free/side-line puck 4.17  
 Striking the ball, generally 1.5  
 Striking for free/penalty puck 2.5  
 Struck with hurley (when ball may be) 1.2  
 Tackling opponent for 1.8  
 Taking into hand second time before striking puck-out 4.27  
 Throwing 4.2  
 Tossing with Hand, etc. 4.7  
 Touched on Ground with hand 1.6  
 Touching non-player 2.9  
 Touching on Ground with hand (and exception) 4.5

Behaviour dangerous to opponent 5.9  
 Boundary lines, going outside (and exceptions) 4.32

### C

Catch (defined) Page 73  
 Caution (defined) Page 73  
 Challenge to a Match Official's authority (and penalty) 6.1  
 Charge (Fair) (defined) Page 73  
 Charging Opponent 5.30  
 Commission of certain fouls  
     Against Team-mate 5.15  
     Against Opponent (start/half-time) 5.16

### D

Defender too close to penalty puck 4.16  
 Definitions: see pages 73 to 76  
 Delay (defined) Page 73  
 Delaying opponent taking free/side-line puck 4.18  
 Dissent 6  
 Dissent Re Injury involving bleeding 6.3  
 Dissent Re Wearing Helmet 6.2  
 Dissent with decision to award free puck (and penalty) 6.4  
 Divot (defined) Page 74  
 Divoting making forbidden 4.24

## F

Face Guard / Helmet - to take hold of opponent's 5.26

Fair Play (Rules of) 1 - 3, Playing Rules of Hurling

Feigning Foul/Injury 5.27

Field of Play, when permitted to go outside 1.10  
see also Part I of Index

Foul

By Defender within Rectangles 2.2

Defined page 74

On player after ball played and score resulting 2.2

Foul Play (Rules of) 4 - 6, Playing Rules of Hurling

Free Puck

After ball over side-line 2.8

Delaying Opponent 4.18

Fouling a Free Puck (second attempt) 4.22

How ball is struck 2.5

Interception of 1.11

Interference with taking of 4.19

Opposing player too close 4.17

## G

Goal, when scored 3.1

Goalkeeper

Challenge of 1.9

Jersey Colour: see Part I of Index

Goalposts, interference with 4.33

## H

Hand Pass (defined) Page 74

Helmet with Facial Guard - to pull or take hold of 5.26

Hurley

Bas, width of: see Part I of Index

Dropping 4.8

Holding Opponent's Hurley or Pulling it from his hand(s) 5.29 (b)

Striking Opponent's Hurley 5.32

Tipping of Opponent's Hurley 4.9

Throwing 4.8

Use of, in certain foul play 5.22, 5.23, 5.24, 5.25, 5.29, 5.31, 5.32

**I**

- In Flight (defined) Page 75
- Infliction of Injury Recklessly 5.10
- Inside 20m line before puck-out taken 4.14, 4.28
- Interference with player taking free/side-line puck (and Exception) 4.19

**J**

- Jumping at opponent: 5.19

**K**

- Kicking/attempting to kick opponent 5.5, 5.6, 5.7

**L**

- Leaving field without referee's permission: see Referee
- Lift (defined) Page 75

**M**

- Match officials' authority (challenge): see Challenge
- Melee, to contribute to 5.12

**O**

- Overcarry (defined) Page 75
- Overhold (defined) Page 75
- 'Own Score' allowable 3.4

**P**

- Penalties 2.3, 2.5
- Penalties for Aggressive Fouls - after 5.14, 5.15, 5.16, 5.25, 5.27, 5.28, 5.32, 5.33, 5.34,
- Penalties for technical fouls- after 4.13, 4.14, 4.15, 4.16, 4.17, 4.19, 4.26, 4.30, 4.31, 4.33
- Penalty puck (generally) 2.2, 2.3
  - Defender too close 4.16 (b)
- Play 1
- Play (of ball) (defined) Page 75
- Point, when scored 3.1
- Puck-out:
  - After Score or Wide 2.6

- Being inside opponents' 20m line before taken 4.14
- Being inside own 20m line before taken 4.28
- Delaying 4.30
- Taking Ball into Hand a second time 4.27
- Taking from outside small rectangle 4.15
- To play ball before it has travelled 13m (by defender) 4.29
- Pull, 'fair' (defined) Page 75
- Pulling Down an Opponent 5.17
- Pushing/Holding Opponent with the hand(s) or Hurley 5.29(a)

## R

### Referee

- Advantage Rule 4.34, 5.36
- Application of Penalty, etc. when aggressive foul drawn to attention by umpire/linesman 5.35
- Procedure on player(s) leaving field without permission 6.6
- Procedure on player(s) refusal to leave field 6.5 (a)
- Starting/Restarting Game 2.1, 2.2
- Refusal to leave field when ordered (and procedure for referee) 6.5(a)
- Refusal to continue playing (and procedure for referee) 6.6
- Restart of game, after 'wide' or score 2.6
- see also Starting
- Retaliation between award of free and free puck 5.33
- Rough play (any form) 5.21
- Rules of Hurling: Pages 24 to 47.

## S

### Scores 3

- Allowable 3.1, 3.2, 3.3, 3.4.

### Not Allowable:

- Player on attacking Team carrying ball over Opponents' goal-line 3.1 Exception (i), 4.12
- Player on attacking Team, in possession of the ball, to score with the hand(s) 4.13

### Set Play 2

- Side-to-side charge 1.9
- Simultaneous fouls by opposing players 2.4, 4.31, 5.34
- Small rectangle



- Taking puck from outside 4.15
- When entry allowed/forbidden 4.10
- Spitting at an Opponent 5.11
- Stamping on Opponent 5.8
- Starting/Restarting Game (and exceptions) 2.1, 2.2, 2.4, 2.6, 2.7, 2.8, 2.9.
- Striking/Attempting to Strike Opponent (with head, arm, elbow, hand, or knee) 5.1
- Striking/Attempting to Strike Opponent (with hurley) 5.2, 5.3, 5.4
- Striking (incl. attempt), interference, threat or use of abusive language/conduct to match officials 5.13
- Striking opponent's hurley unless both in act of striking ball 5.32

#### T

- Tackle (defined) Page 75
- Tackling Opponent for Ball 1.8
- Team Official - for player to assault opposing Team Official 5.14
- Team-mate, fouls against 5.15
- Technical Fouls 4
- Throw (defined) Page 75
- Throw-In (defined) Page 76
  - When given for fouls between end-line and 20m line 2.2(v)
- Toss (defined) Page 76
- Tripping opponent: 5.18

#### U

- Use of hurley in specified foul play 5.18, 5.22, 5.23, 5.24, 5.25, 5.29, 5.31, 5.32,

#### W

- Wasting time (free or side-line puck) 4.26.

## **PART 4**

# **Playing Rules of Gaelic Football**

### **(Pages 48 to 72)**

#### **A**

- Abusive/Threatening Language/Gestures to Opponent/Team-mate 5.17, 5.22
- Advantage Rule 4.37, 5.29
- Aggressive Fouls
  - Against team-mate 5.12
  - At Half-time (and prior to start) 5.13
  - Generally 5
- Arc the 2.3, 4.11 (b) 4.16 (a)

#### **B**

#### **Ball**

- Advancing from where free/side-line kick, to be taken 4.24
- Bounced 1.4 (c), 1.5
- Bouncing more than once after catching 4.6
- Carried/Held in hand(s) 1.4 (a)
- Carrying over opponents' line 3.1
- Catching after Playing 4.7
- Changing from hand to hand 1.4 (d)
- Changing from one hand to other 4.10
- Fisted/Palmed on ground 1.2 (ii)
- Handpassing without definite striking action 4.2 (b) in play (defined) 1.1
- Knocked from Opponent's hands 1.4
- Lifting with Knees 1.2 (iii). 4.3
- Making Divot for 4.23
- Not on ground, how playable 1.3
- On Ground, how playable 1.2
- Overcarrying/Overholding 4.1
- Palmed; see Fisted

Played from Foot to Hand(s) 1.4 (b)  
Played over end-line by defender (45m free) 2.8  
Played over boundary line 1.1 (b)  
Played over end-line by attacking team 2.7 (a)  
Played over side-line 2.9  
Playing again after free kick/penalty/side-line kick 4.22  
Playing before travels 13m 4.29  
Possessed by player, how playable 1.4  
Resetting for kick-out/free kick/penalty without  
permission after whistle 4.21  
Scoring permitted if struck in flight with hand(s) 3.2  
Standing/Moving too near when own team awarded  
free/side-line kick 4.11(a)  
Standing/Moving too near when opponents awarded  
free/side-line kick 4.17  
Striking Flag 1.1 (b)  
Struck with open hand(s)/fist 1.4 (e)  
Throwing 4.2 (a)  
Toe-tapped 1.4 (b), 1.4 (c)  
Tossed 1.4 (f)  
Touched on Ground with hand 4.5  
Touching non-player 1.1 (c), 2.10  
Touching on ground with hand(s) 4.5  
Wrestling from opponent 4.8  
Behaviour dangerous to opponent 5.6  
Bounce (defined) page 73  
Blocking with Boot 5.18  
Boundary lines, going outside 1.9, 4.35

## C

Catch (defined) page 73  
Caution (defined) page 73  
Challenge to match official's authority (and penalty) 6.1  
Charge (Fair) (defined) page 73  
Charging opponent 5.25

- Commission of certain fouls
  - Against Team-mate 5.12
  - Against Opponent (start/half-time) 5.13
- Cross-bar displaced 3.3 (b)

## D

- Defender too close to penalty kick 4.16
- Definitions: see pages 73 to 76
- Delay (defined) page 73
- Delaying opponent taking free/side-line kick 4.18
- Dissent
  - Generally 6
  - Dissent Re Injury involving Breeding 6.2
  - With Decision to award free kick (and penalty) 6.3
- Divot (defined) page 74
- Divot-making forbidden 4.23

## F

- Fair Play 1 - 3
- Feigning Foul/Injury 5.21
- Field of Play: see Part I of Index
- Foul
  - By defender within rectangles 2.2
  - Defined page 74
  - By defender within 13m line 2.2
  - On player after ball played and score resulting 2.2
- Foul Play 4 - 6
- Free kick 2.5
  - After ball over end-line by defending team 2.8
  - After ball over-side-line 2.9
  - Defender within own small rectangle, too close 4.15
  - Delaying opponent 4.18
  - How to kick 2.5
  - Immediate taking, with referee's consent 2.6
  - Interception of 1.10
  - Interference with taking of 4.19

## G

### Goalkeeper

- Challenge of 1.7
- Incidental Contact with 1.7
- Jersey Colour: see Part I of Index
- Moving along goal-line while penalty being taken 1.8
- Playing ball on ground with hands 1.2 (i)

## H

Handpass (defined) page 74

## I

- Infliction of Injury Recklessly 5.7
- In-flight (defined) Page 75
- Inside 20m line before kick-out taken 4.14, 4.28
- Interference with player taking free/side-line kick  
(and Exception) 4.19

## J

Jumping at opponent: 5.16.

## K

Kicking/attempting to kick opponent 5.2, 5.3, 5.4

### Kick-out

- After score 2.7 (b)
- Being inside opponents' 20m line before taken 4.14
- Being inside own 20m line at taking of 4.28
- Being less than 13m from ball before kick 4.20, 4.30
- Delaying 4.31
- Taking ball into hands 4.27
- Taking of after score from outside 20m line 4.33
- Taking from outside small rectangle after wide 4.32
- To play ball before it has travelled 13m (by defender) 4.29

## L

Leaving Field without referee's permission: see Referee

Lift (defined) page 75

## M

Match Officials' Authority (challenge to): see Challenge  
Melee, to contribute to 5.9

## O

- Options to player fouled 2.5
- Overcarry (defined) page 75
- Overhold (defined) page 75
- 'Own score' allowable 3.4

## P

- Penalty kick
  - Defender/Goalkeeper too close 4.16 (a) and (b)
  - Generally 2.3
- Penalties for Aggressive Fouls - after 5.11, 5.12, 5.13, 5.20, 5.21, 5.22, 5.25, 5.26, 5.27
- Penalties for Technical Fouls - after 4.13, 4.14, 4.15, 4.16, 4.17, 4.19, 4.20, 4.25, 4.26, 4.33, 4.34, 4.36
- Play 1
- Play (of ball) (defined) page 75
- Point, when scored 3.1
- Preventing opponent from lifting/kicking ball 5.19
- Pulling down opponent 5.14
- Pushing/Holding opponent with hand(s) 5.23

## R

- Referee
  - Advantage Rule 4.37, 5.29
  - Application of penalty etc. when aggressive foul drawn to attention by umpire/linesman 5.28
  - Consent to immediate taking of free kick 2.6
  - Procedure on player's leaving field without permission 6.5
  - Procedure on player's refusal to leave field 6.4
  - Signalling play to stop 1.1 (a)
  - Starting/Restarting game 2.1, 2.2
- Refusal to leave field when ordered (and procedure for referee) 6.4 (a)
- Refusal to continue playing (and procedure for referee) 6.5

Rejoining game after ordered off 6.4 (b)  
 Restart of game  
     see Starting  
     When ball played over end-line by attacking team 2.7 (a)  
 Retaliation between award of free and free kick 5.26  
 Rough play (any form) 5.20

## S

### Scores 3

Allowable 3.1, 3.2, 3.3, 3.4

Not Allowable:

Player on attacking team carrying ball over opponents' goal-line

3.1 Exception (i), 4.12

Player on attacking team, in possession of ball, scoring a goal with hand(s) or a point with open hand(s) (and Exception) 3.1

Exception (ii) and (iii), 4.13

### Set Play 2

Side-to-side charge 1.7

Simultaneous fouls by opposing players 2.4, 4.34, 5.27

### Small rectangle

Charging/challenging goalkeeper in 1.7

When entry allowed/forbidden 4.9

Spitting at an Opponent 5.8

Stamping on Opponent 5.5

Starting/Restarting Game (and Exceptions) 2.1, 2.2, 2.4, 2.6, 2.7, 2.8, 2.9

Striking/Attempting to Strike Opponent (with head, arm, elbow, hand or knee) 5.1

Striking (Incl. Attempt), Interference, Threaten, or Use of Abusive Language/Conduct to Match Officials 5.10

## T

Tackle (defined) page 75

Tackling opponent for ball 1.6

Team Official - for Player to Assault Opposing Team Official 5.11

Team-mate, fouls against 5.12

Technical fouls 4

Tee - Artificial 2.7 (c), 4.26

Throw (defined) page 75

Throw-in (defined) page 76

Where given for fouls between end-line and 20m line 2.2(v)

Toe-tap (defined) page 76

Toss (defined) page 76

Tripping opponent: 5.15

## **W**

Wasting time (free/side-line kick) 4.25, 4.31

Wrest (defined) page 76